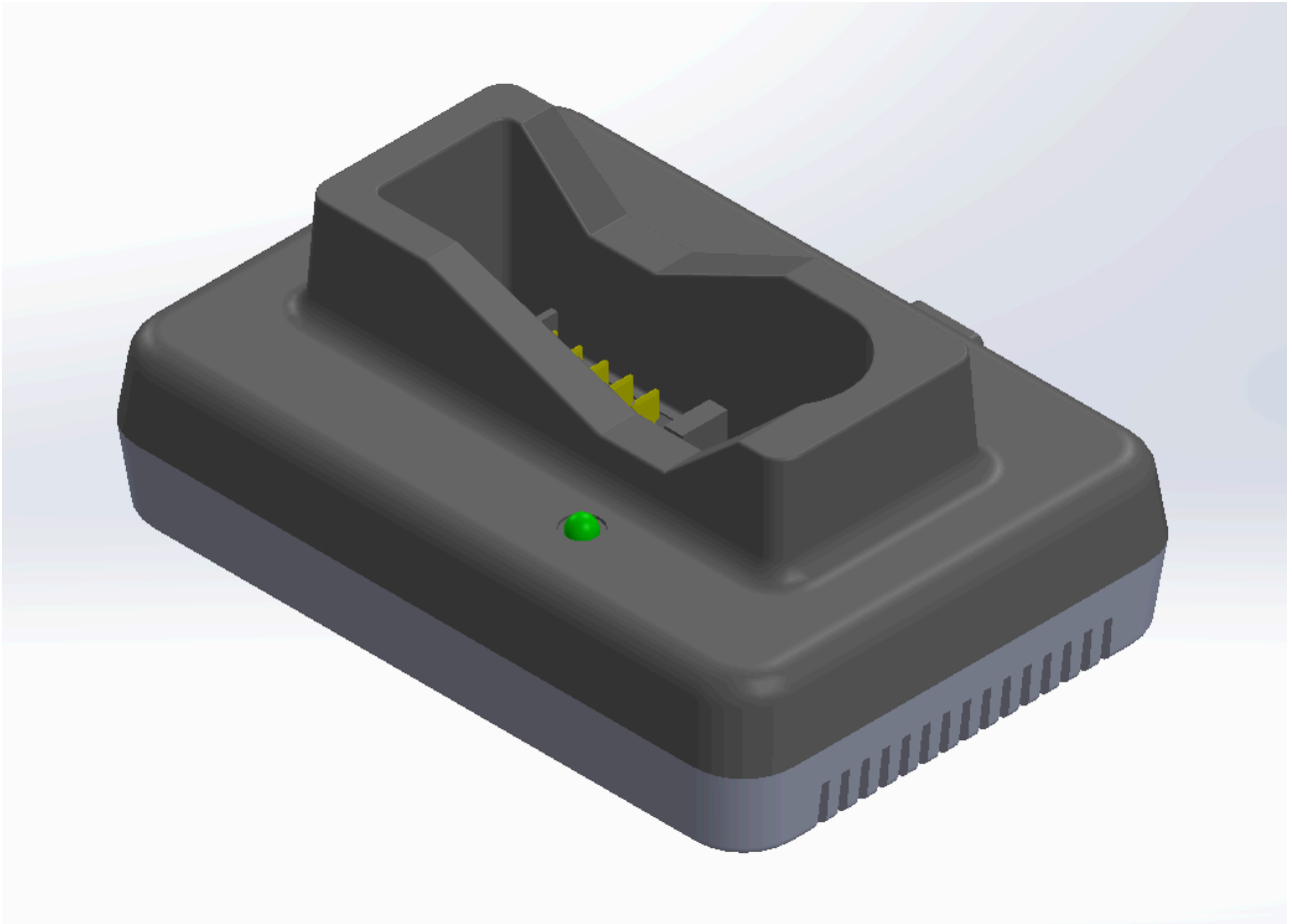


# Product Specification

Model Name : JW2057

Parts Number :



Issue Date	Revision	Modified Content	Approval
2023.5.10	A	Initial Release	David

# 1.Scope

This specification is a charger only for NB2037 & RRC2057 series product lithium-ion battery pack.

## 2.Application

- Lithium-ion battery packs Charge.

## 3.Specification

No.	Item	Specification	Remark
1	Support Battery Cells	2S	
2	Charge Voltage	$8.4 \pm 0.2V$	
3	Charge Current	$0.5C \pm 0.2A$	Design Capacity
4	Charge Current Termination	$250 \pm 10mA$	
5	Recharger Voltage	$\leq 8.2 \pm 0.1V$	
6	Pre-charge Voltage	$\leq 6.18 \pm 0.26V$	
7	Pre-charge Current	$250 \pm 10mA$	
8	Input voltage range	19V	
9	Operating Temperature	0~45°C	

## 4. Safety Protection

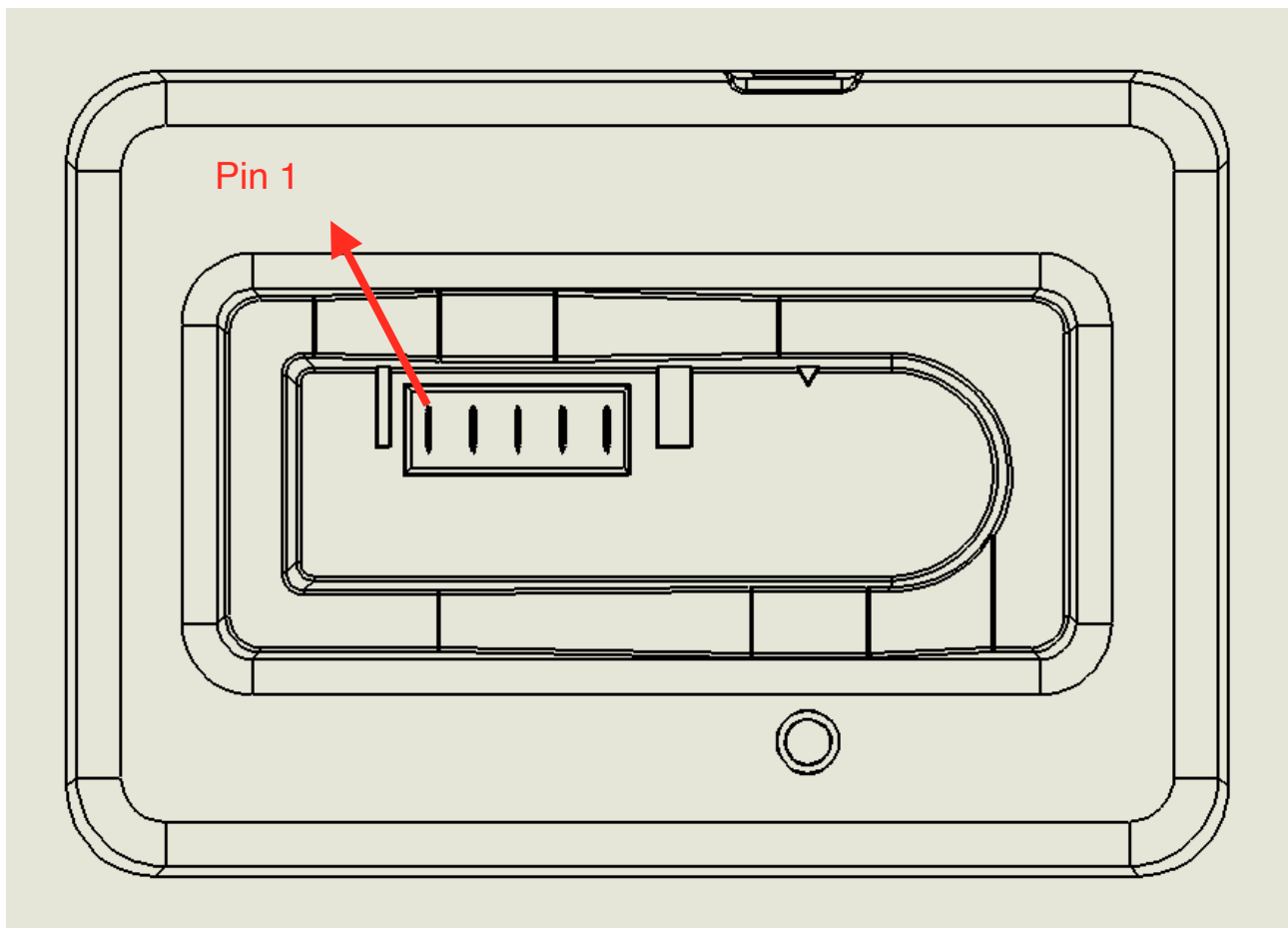
No.	Item	Specification	Remark
1	Input over voltage	32V	
2	Battery thermistor sense (Cold / Hot)	0 / 45 °C	TBD
3	Battery present detection	Yes / No	
4	Charge safety timer	560±10min	
5	Charge Over Current	$7.55 \pm 0.3A$	
6	Battery short	20A / 1us	
7	Battery over voltage	$8.72 \pm 0.3V$	
8	IC Thermal shutdown	145°C	

## 5.LED indicator Status

No.	Description	Color	Remark
1	Charging	Red	TBD
2	Charge Complete	Green	TBD
3	Battery Fault	Flash Red/Green	TBD

## 6.Pin define

Pin No.	Pin name	Description	Remark
1	BAT+	Postive	
2	SMBC	Battery SMBus Clock	
3	SMBD	Battery SMBus Data	
4	ID	Battery ID Detection	
5	BAT-	Negative	



# 7.Outside Dimension

