



昌勃股份有限公司
DR.POWER CORPORATION
零件規格書 / 承認書
SPECIFICATION FOR APPROVAL


CUSTOMER : _____

DESCRIPTION : DR10鋰電池組充電座(單)

MODEL : _____

CUSTOMER PART NO : _____

APPROVED SIGNATURES

			
-------------------------------------------------------------------------------------	--	--	--

Rev	Date	Description	Designed	Checked	Approved
A	24/1/03	Release		Po Chen	

臺北市北投區吉利街 131 號 2 樓

2F, NO. 131, JILI ST., PEITOU, TAIPEI, TAIWAN, R.O.C.

TEL : 886-2-2827-0158 · FAX : 886-2-2827-0348

1.Scope

This specification is a charger only for DR10 series product lithium-ion battery pack.

2.Application

- Lithium-ion battery pack.

3.Specification

No.	Item	Specification	Remark
1	Support Battery Cells	2S	
2	Charge Voltage	$8.4 \pm 0.3V$	
3	Charge Current	$3.0 \pm 0.2A$	
4	Charge Current Termination	$300 \pm 10mA$	
5	Recharger Voltage	$\leq 8.2 \pm 0.1V$	
6	Pre-charge Voltage	$\leq 6.18 \pm 0.26V$	
7	Pre-charge Current	$300 \pm 10mA$	
8	Input voltage range	19-24V	
9	Operating Temperature	0~45°C	

4. Safety Protection

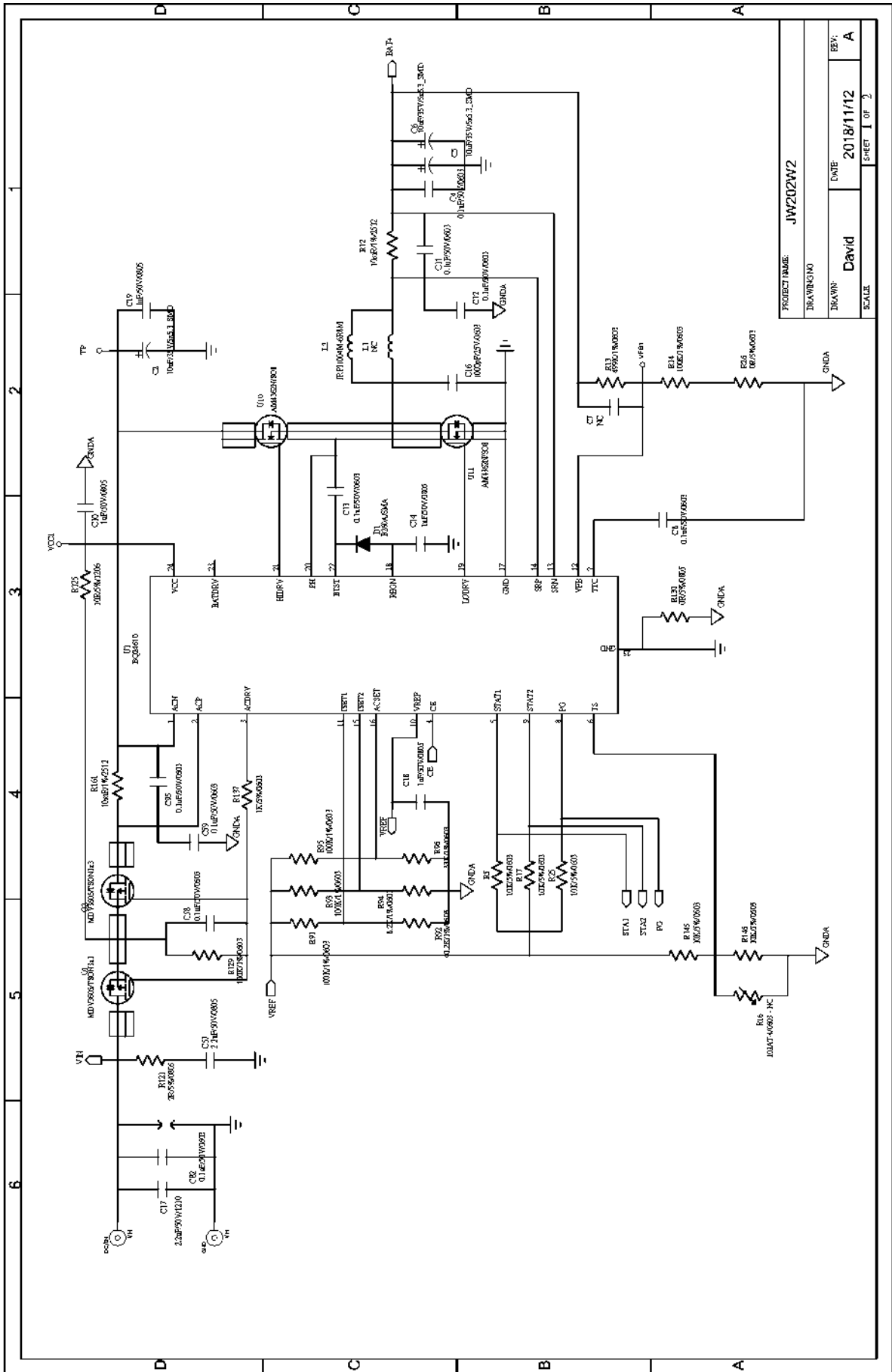
No.	Item	Specification	Remark
1	Input over voltage	32V	
3	Battery present detection	Yes / No	
4	Charge safety timer	560±10min	
5	Charge Over Current	$4.8 \pm 0.3A$	
6	Battery short	20A / 1us	
7	Battery over voltage	$8.72 \pm 0.3V$	
8	IC Thermal shutdown	145°C	

5.LED indicator Status

No.	Description	Color	Remark
1	Charging	Amber	
2	Charge Complete	Green	
3	Battery Fault	Flash Red	

6.Pin define

Pin No.	Pin name	Description	Remark
1	BAT+	Postive	
2	SMBC	Battery SMBus Clock	
3	SMBD	Battery SMBus Data	
4	ID	Battery ID Detection	
5	BAT-	Negative	



PROJECT NAME:	JW202W2	
DESIGNER:	David	DATE: 2018/11/12
SCALE:		SHEET 1 OF 2
REV:	A	

7.Schematic